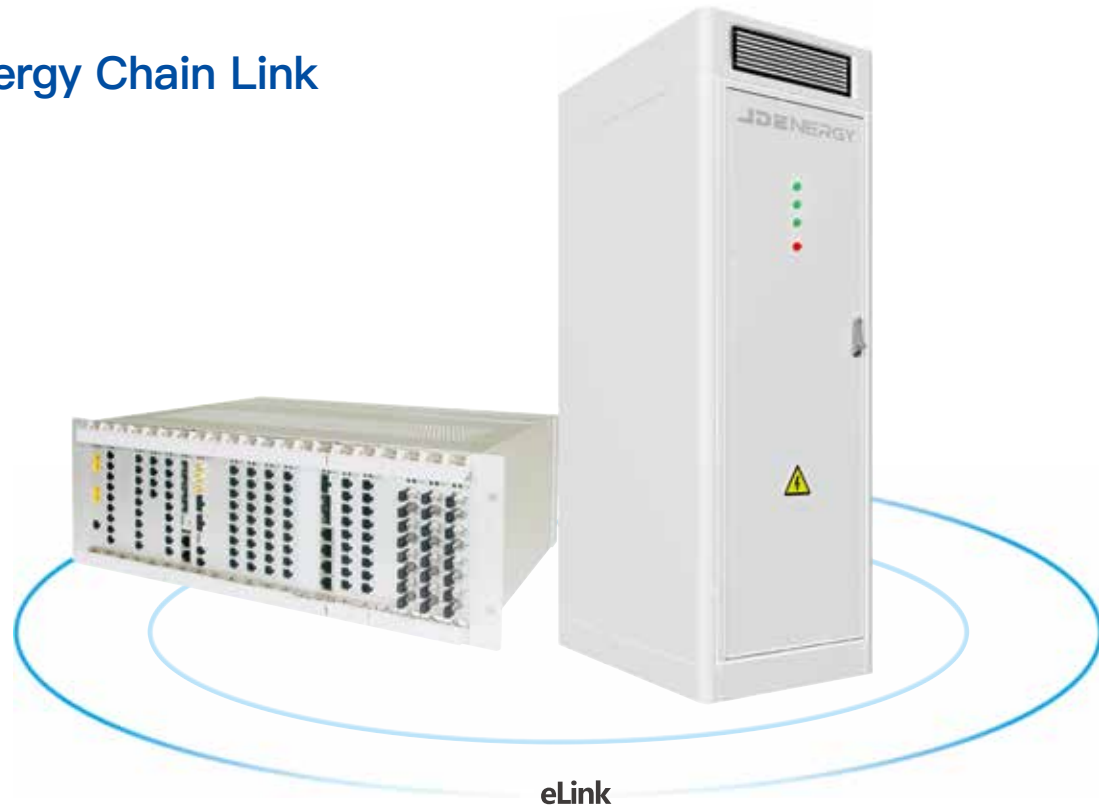


Energy Chain Link



Product Introduction

Bi-directional link unit for energy flow and information flow in energy storage system.

Energy Flow: eLink connects eblock downwards and user distribution system upwards to complete convergence, control, protection and measurement of output AC power and realize bi-directional connection and management of energy flow.

Information Flow: eLink Serves as a bridge between eBlocks and eMind, to enable high-speed communication connections between local and cloud data, providing reliable data collection, storage, and control management for eMind.

Product Advantages



Integration design of smart power distribution and high-speed communication control enables high integration of system energy flow and data flow

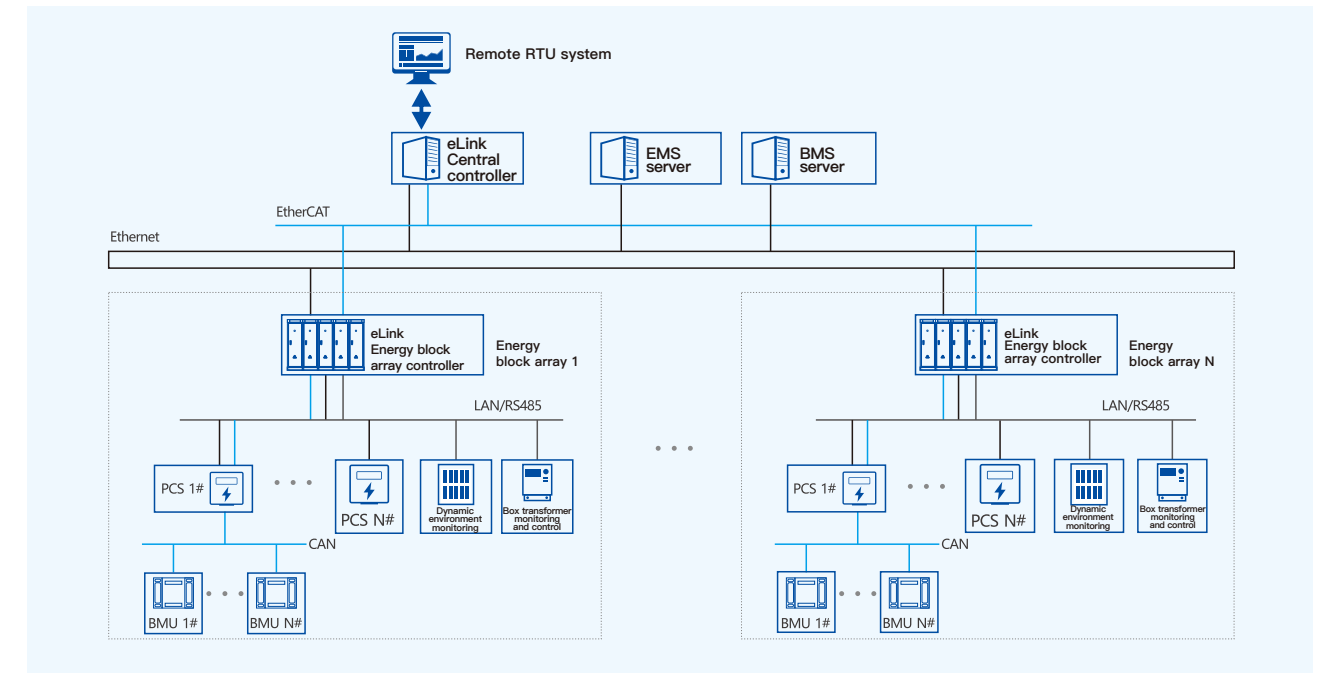


DSP+ARM + FPGA control platform with 1GHz bus speed and power output response<20ms to power grid scheduling



eLink control system can be freely expanded in capacity through two stages to allow rapid collaborative control of more than a thousand eBlocks in GWh power stations

Topology



Performance Parameters

Model	eLink-12H	eLink-16P	eLink-16C
Function Description	Energy Flow and Information Flow Integration Cabinet	Energy Block and Power Grid Busbar Connection Cabinet	High Speed Communication and Cluster Control Cabinet
System Voltage	380V	690V	/
Number of Blocks Connected (eBlock)	12	16	16
Outputs	1	1	1
Maximum Rated Power	1200kW	3000kW	/
Rated Current	1825A	2500A	/
Measuring Accuracy	0.5 (Bi-Direction Meter)	0.5 (Bi-Direction Meter)	/
Short Circuit Protection	Yes	Yes	Yes
Resonance Suppression	Yes	Yes	/
UPS	Optional	/	Optional
Communication Interface	LAN/CAN/RS485/FC	/	LAN/CAN/RS485/FC
Operating Temperature	- 35~55°C	- 35~55°C	- 35~55°C
Relative Humidity	0~95%RH	0~95%RH	0~95%RH
System Protection Grade	IP55	IP55	IP55
Altitude	< 2000m	< 2000m	< 2000m
Noise	< 65dB	< 65dB	< 65dB
System Dimension (W*H*D)	750*2200*1050mm	1000*2350*1300mm	1000*2350*1300mm